

N2 Compression Latch

Lift & turn series · Folding T-handle · Flush cup style · Adjustable grip

Features

- Heavy-duty performance
- Flush profile when latched
- Easy grip adjustment
- Intuitive operation

Material

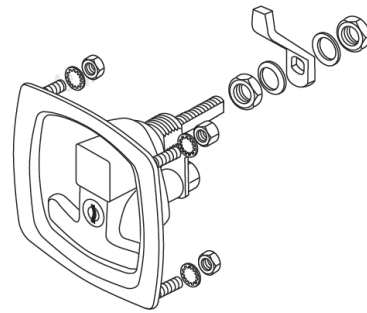
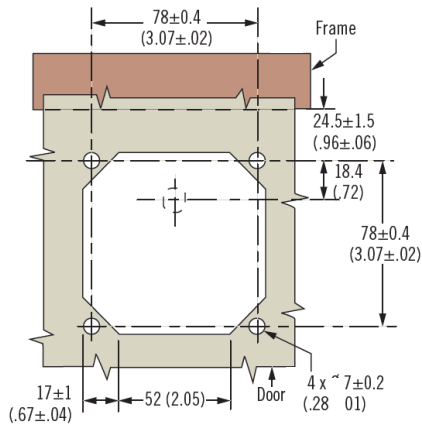
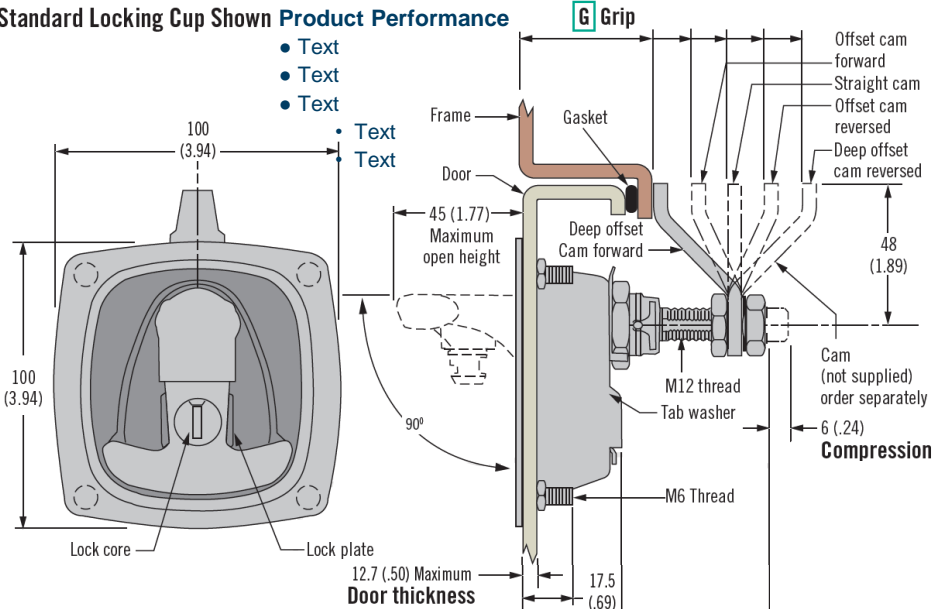
- Black powder coat version:
 - Handle: Aluminium, zinc alloy
 - Cup and hardware: Steel
- Stainless steel version:
 - Handle, cup and hardware: Stainless steel

Product Performance

- Maximum static load: 1,000 N



Standard Locking Cup Shown Product Performance



Installation Notes

1. Insert latch and tighten 4 mounting nuts.
2. With latch in closed position, adjust jam nuts to position cam at correct grip. Maximum tightening torque is 20 N.m .

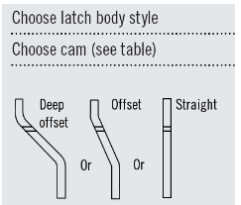
Latch part number (no cam)

N2 - 2 - C 0 L - 01 - F

- C** Cup style
 - 3 Standard cup
 - 5 Medium cup
 - 7 Large cup
- L** Locking style
 - 0 Non-locking
 - 1 Key-locking keyed alike CH751 (2 keys supplied)
- F** Finish
 - 5 Black powder coated
 - 20 Polished stainless

Cam Part Number Table (order separately)			
Part Number	Grip		Cam Type
	Minimum	Maximum	
N2-21-101-12	28 (1.10)	43 (1.69)	Deep offset cam, forward
	88 (3.46)	104 (4.09)	Deep offset cam, reversed
N2-21-102-12	43 (1.69)	58 (2.28)	Offset cam, forward
	73 (2.87)	88 (3.46)	Offset cam, reversed
N2-21-103-12	58 (2.28)	73 (2.87)	Straight

Order latch and cam separately



N2 Compression Latch

Lift & turn series · Folding T-handle · No cup style · Adjustable grip

Features

- Heavy-duty performance
- Flush profile when latched
- Easy grip adjustment
- Intuitive operation

Product Performance

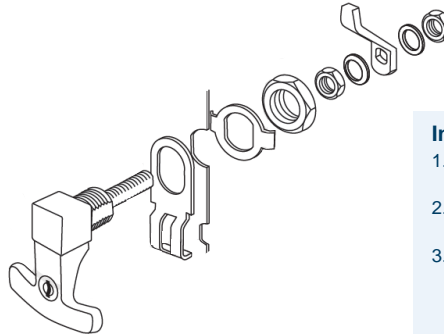
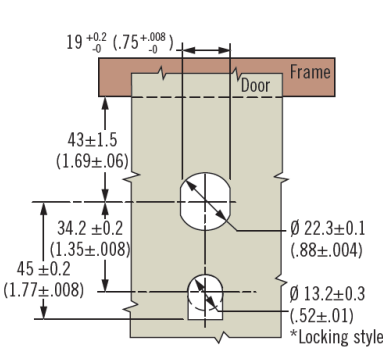
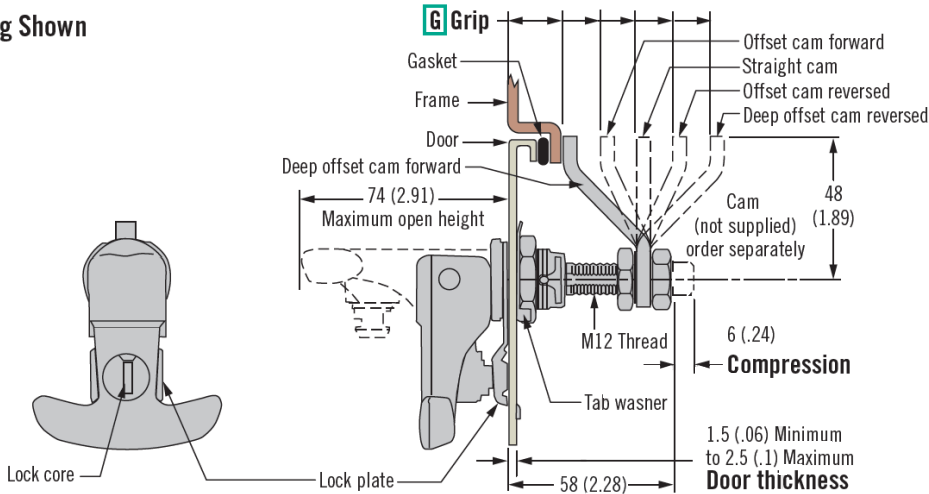
- Maximum static load: 1,000 N

Material

- Black powder coat version:
 - Handle: Aluminium, zinc alloy
 - Cup and hardware: Steel
- Stainless steel version:
 - Handle, cup and hardware: Stainless steel



Locking Shown



Installation Notes

1. Insert latch and tighten mounting nut.
2. Bend tab washer over mounting nut.
3. With latch in closed position, adjust jam nuts to position cam at correct grip. Maximum tightening torque is 20 N.m .

F Finish
 5 Black powder coated
 20 Polished stainless

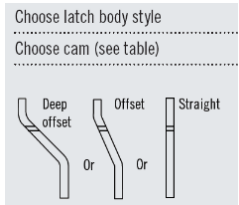
L Locking style
 0 Non-locking
 1 Key-locking keyed alike
 CH751 (2 keys supplied)

Latch part number (no cam)

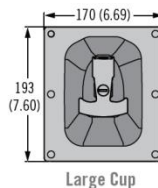
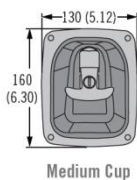
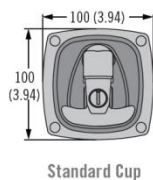
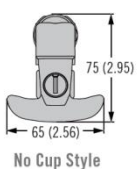
N2 - 2 - 10 L - 01 - F

Cam Part Number Table (order separately)			
Part Number	Grip		Cam Type
	Minimum	Maximum	
N2-21-101-12	2.5 (.10)	15 (.59)	Deep offset cam, forward
	60 (2.36)	75 (2.95)	Deep offset cam, reversed
N2-21-102-12	15 (.59)	30 (1.18)	Offset cam, forward
	45 (1.77)	60 (2.36)	Offset cam, reversed
N2-21-103-12	30 (1.18)	45 (1.77)	Straight

Order latch and cam separately



N2 Product Family



southco®

We are proud to be Southco's authorized distributor of over 20 years